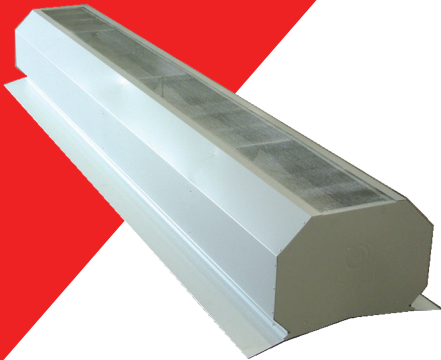




FLORIDA APPROVED CONTINUOUS RIDGE VENTILATORS



Continuous Ridge Ventilator

A properly engineered ventilation system using continuous ridge ventilators controls the movement of fresh air through the building removing hot, stale air and air contaminated by manufacturing or production processes. Summer heat is released naturally through gravity ventilators. During winter proper ventilation can assist in the control of condensation and other moisture problems, such as rust and deterioration of insulation or the damage to stored products.

Pull chains are the standard operators for dampers. Multiple damper operations are available for two or more units.

Standard ridge ventilators are shipped with a 1:12 end cap and can be field modified to accommodate up to a 6:12 roof pitch. Ventilators can be custom ordered to accommodate roof pitches greater than 6:12.

NOTE

Please specify flat or die form skirts, roof pitch, damper operator and color when ordering.

PRODUCT DESCRIPTION	SUB-FRAMING ATTACHMENT	SKIRT TYPE	FLORIDA APPROVAL NUMBER
9" x 10' Ridge Ventilator	24-gauge Steel	Flat	12805.1
	16-gauge Steel	Flat	12805.3
	24-gauge Steel	Die Formed	12805.6
	16-gauge Steel	Die Formed	12805.8
12" x 10' Ridge Ventilator	24-gauge Steel	Flat	12805.2
	16-gauge Steel	Flat	12805.4
	24-gauge Steel	Die Formed	12805.7
	16-gauge Steel	Die Formed	12805.9

SPECIFICATIONS

STANDARD SIZE

9" throat and 12" throat available in 10' sections and can be used for single unit or continuous run installation with no disassembly.

INTEGRAL DAMPERS

Easy-moving damper opens to any degree from fully open to completely closed.

DESIGN

Aerodynamically proportioned to exclude weather. Protects air passages and full outlet area.

BIRD SCREEN

Fully protected by 4 x 4 bird screen mesh galvanized hardware cloth.

CONSTRUCTION

Durable 24-gauge exterior combined with internal components of 24-, 20- and 18-gauge die formed sheet metal and machined parts for long service life.

FINISH

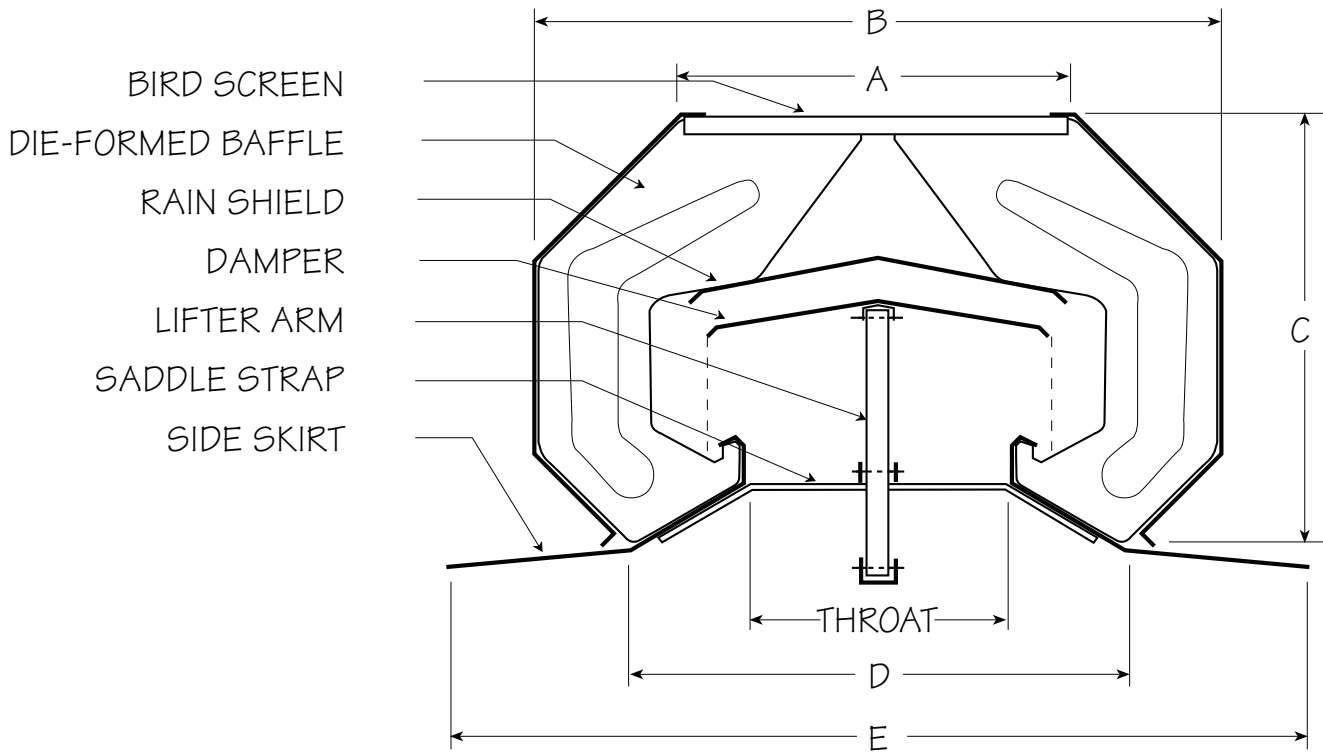
Galvalume or Polar White finish is standard and other colors are available including Kynar®.

DRAINAGE AREA

Continuous slot on bottom of both sides of windbands.



TECHNICAL SPECIFICATIONS



DIMENSIONS

THROAT	A	B	C	D	E
9"	13"	21-1/4"	14-1/2"	18"	28-1/4"
12"	17"	28-1/2"	18"	22"	33"

These Florida Approved Ridge Vents were designed utilizing standard MP construction. 24-gauge steel, reinforced bracing and additional fasteners were added to achieve Florida Approval.

SHIPPING WEIGHT

SIZE	STANDARD CRATED	PACKAGE SIZE
9"	230 lbs*	10' x 30" x 20"
12"	250 lbs*	10' x 35" x 24"

*Approximate weight.



CAPACITY

To determine capacity per unit, multiple “Base Rating” by “Temperature-Height Factor”:

CFM = Base x Temperature-Height Factor.

Based on fresh air intake area 1-1/2 times ventilator throat area. Assumes 5 mph wind speed.

BASE RATINGS	
THROAT SIZE	C.F.M.
9"	2700
12"	3600

TEMPERATURE-HEIGHT FACTORS									
TEMPERATURE DIFFERENCE									
HEIGHT	5°	10°	15°	20°	25°	30°	35°	40°	45°
10'	.37	.49	.58	.64	.70	.76	.81	.86	.95
15'	.42	.60	.71	.80	.86	.92	.99	1.05	1.09
20'	.53	.70	.81	.92	.99	1.07	1.14	1.22	1.26
25'	.58	.77	.89	1.00	1.08	1.18	1.25	1.33	1.36
30'	.63	.83	.97	1.08	1.17	1.28	1.36	1.45	1.50
35'	.66	.87	1.02	1.14	1.24	1.35	1.44	1.51	1.58
40'	.70	.93	1.08	1.22	1.30	1.41	1.50	1.61	1.68
45'	.74	.96	1.12	1.28	1.38	1.48	1.59	1.68	1.75
50'	.77	1.01	1.18	1.33	1.44	1.56	1.67	1.75	1.83
55'	.80	1.06	1.23	1.39	1.50	1.64	1.72	1.83	1.92
60'	.83	1.09	1.28	1.44	1.55	1.69	1.79	1.90	2.00
65'	.85	1.12	1.32	1.48	1.61	1.74	1.85	1.97	2.06
70'	.88	1.17	1.36	1.53	1.67	1.79	1.89	2.02	2.11
75'	.90	1.19	1.39	1.57	1.69	1.83	1.96	2.06	2.17
80'	.93	1.22	1.42	1.61	1.72	1.86	2.00	2.11	2.20

Height = Vertical rise from inlets near floor to ventilator

Temperature = Estimated temperature difference between middle of air intake near the floor and ventilator with dampers open

FLORIDA APPROVAL PRODUCT NOTES

- Building Envelope Components are Florida Statute required (FS 553.842) to have Florida Product Approvals
- Statewide Building Envelope Products are approved by the Florida Building Commission
- Florida Product Approvals of building envelope components/systems are certified to structural resistance properties in the Florida Building Code
- Metallic Products’ ventilators are structurally tested by Florida approved testing laboratories to code standards and are also tested for impact resistance and related properties
- Metallic Products’ evaluation reports contain wind resistance data that is certified and approved by the Florida Building Commission for use in demonstrating code compliance
- Metallic Products’ product approvals are evaluated by a third-party Florida Professional Engineer who is registered with the Florida Building Commission
- Metallic Products’ ventilators are manufactured under an audited production Quality Assurance (QA) program to ISO standard 17020 by an ANSI accredited agency

